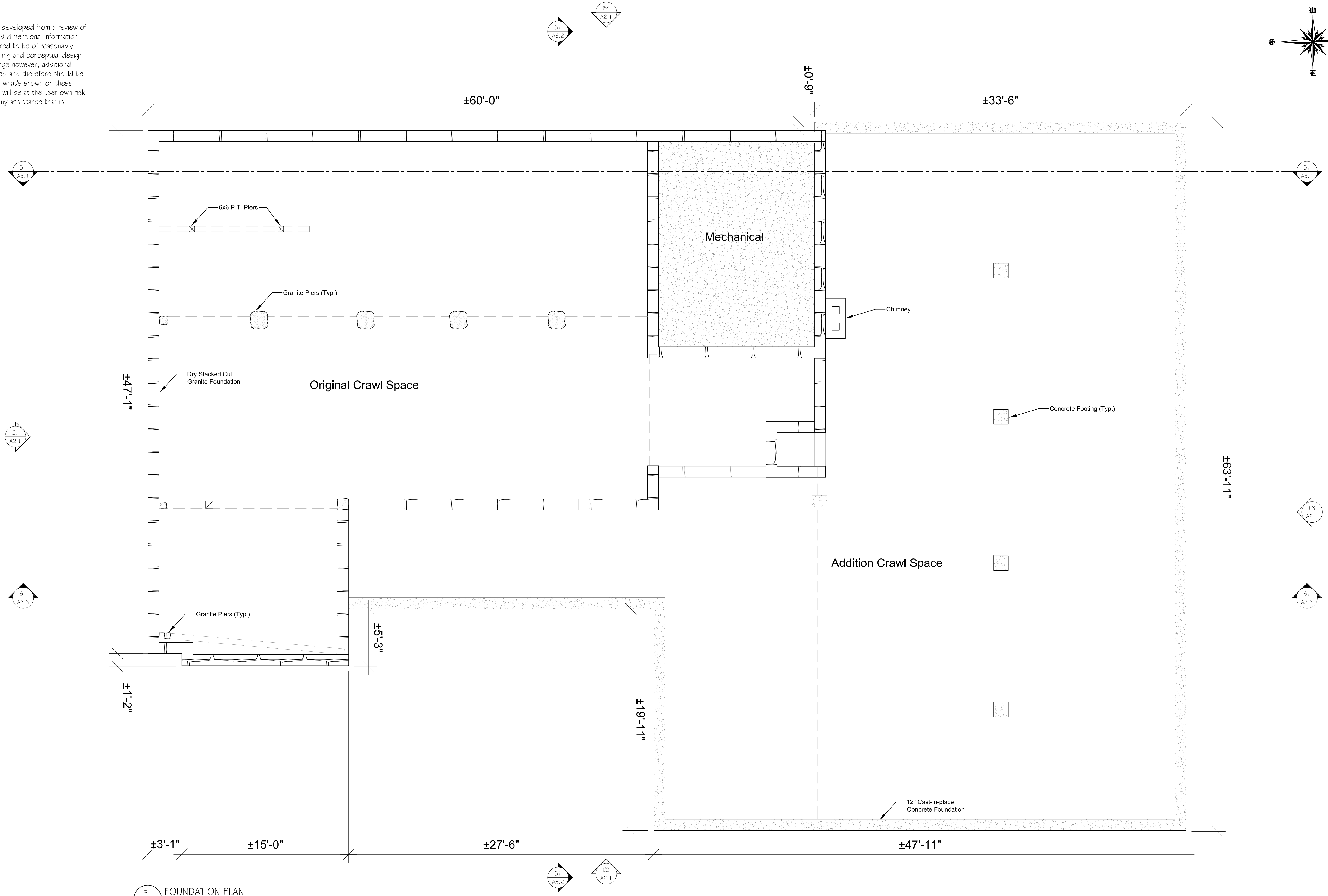
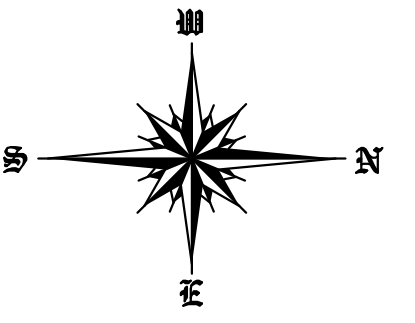


GENERAL NOTES

1. The information presented in these drawings was developed from a review of historical construction drawings, photographic and dimensional information collected on site. All information can be considered to be of reasonably tight tolerances and can be readily used for planning and conceptual design purposes. For detail work or construction drawings however, additional on-site dimensional information will likely be needed and therefore should be collected. Failure to verify existing conditions to what's shown on these pages before moving into detailed or final design will be at the user own risk. Please contact Bergeron Technical Services for any assistance that is needed.



PI FOUNDATION PLAN
A1.0 SCALE: 1/4" = 1'-0"

NOTATION LEGEND

	DENOTES WINDOW TYPE		DENOTES WALL TYPES
	DENOTES DOOR TYPE		
	DENOTES BUILDING SECTIONS, SEE SHEETS A3.1 - A3.3		DENOTES EXTERIOR BUILDING ELEVATIONS, SEE SHEET A2.1

BERGERON
TECHNICAL SERVICES LLC

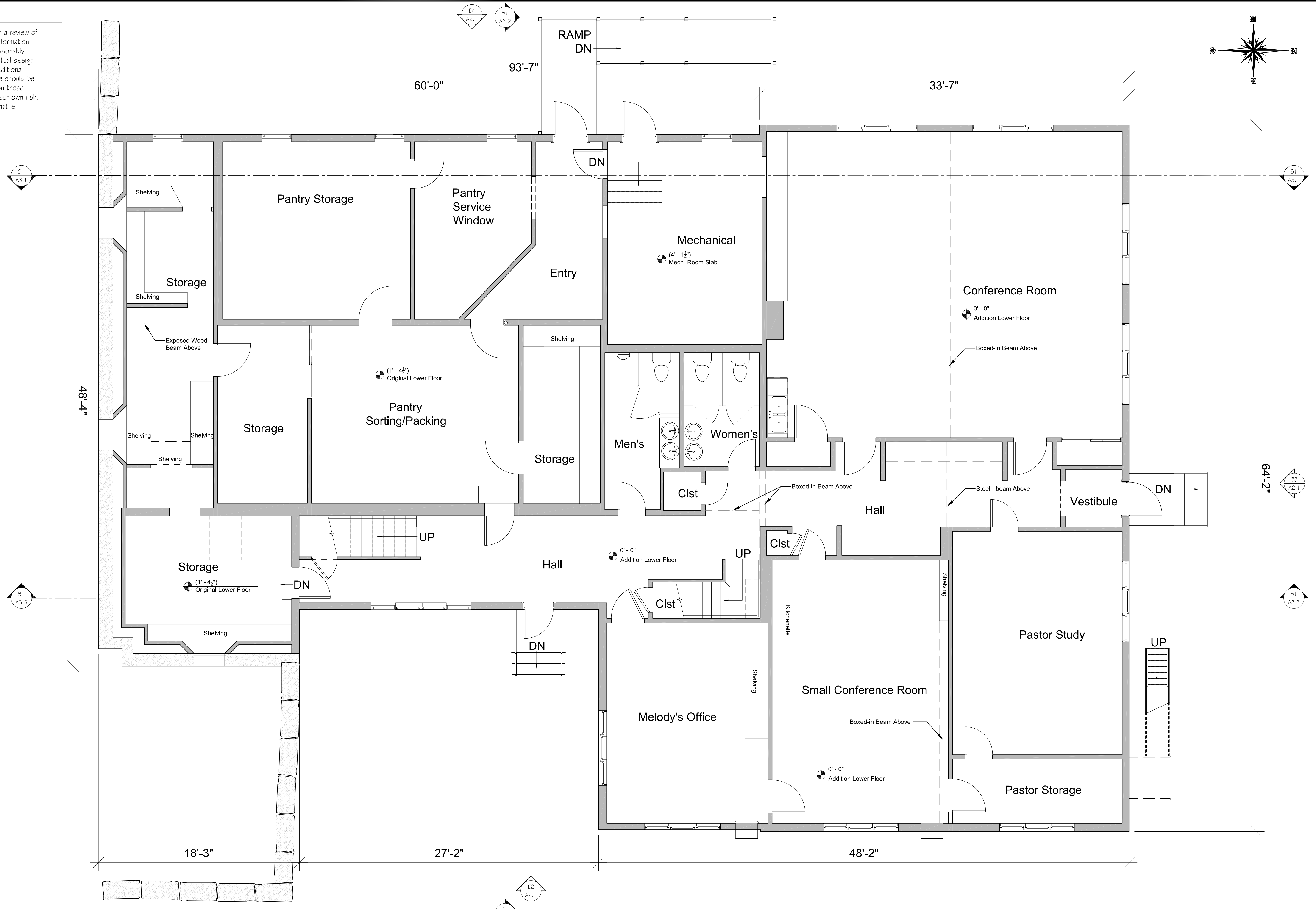
Copyright © 2020 SBTS LLC
P.O. Box 241 North Conway, NH 03860
290 East Side Road Conway, New Hampshire
603-356-0022
www.BergeronTechnical.com

EXISTING CONDITIONS FOUNDATION PLAN	PROJECT NUMBER 19-10	A1.0
CONWAY VILLAGE CONGREGATIONAL CHURCH Conway, NH	SCALE As Noted	
	DATE 5-8-20	
	DRAWN BY KR SB	

S:\Brown Church - Conway Village - July 2019\BTS CAD Files\Brown Church Existing Conditions.dwg, 5/8/2020 11:20:05 AM, Adobe PDF

GENERAL NOTES

1. The information presented in these drawings was developed from a review of historical construction drawings, photographic and dimensional information collected on site. All information can be considered to be of reasonably tight tolerances and can be readily used for planning and conceptual design purposes. For detail work or construction drawings however, additional on-site dimensional information will likely be needed and therefore should be collected. Failure to verify existing conditions to what's shown on these pages before moving into detailed or final design will be at the user own risk. Please contact Bergeron Technical Services for any assistance that is needed.



NOTATION LEGEND

	DENOTES WINDOW TYPE		DENOTES WALL TYPES
	DENOTES DOOR TYPE		DENOTES BUILDING SECTIONS. SEE SHEETS A3.1 - A3.3
	DENOTES EXTERIOR BUILDING ELEVATIONS. SEE SHEET A2.1		

PI LOWER FLOOR LEVEL PLAN
A1.1 SCALE: 1/4" = 1'-0"

BERGERON
TECHNICAL SERVICES LLC

Copyright © 2020 SBTS LLC
P.O. Box 241 North Conway, NH 03860
290 East Side Road Conway, New Hampshire
603.356.0022
www.BergeronTechnical.com

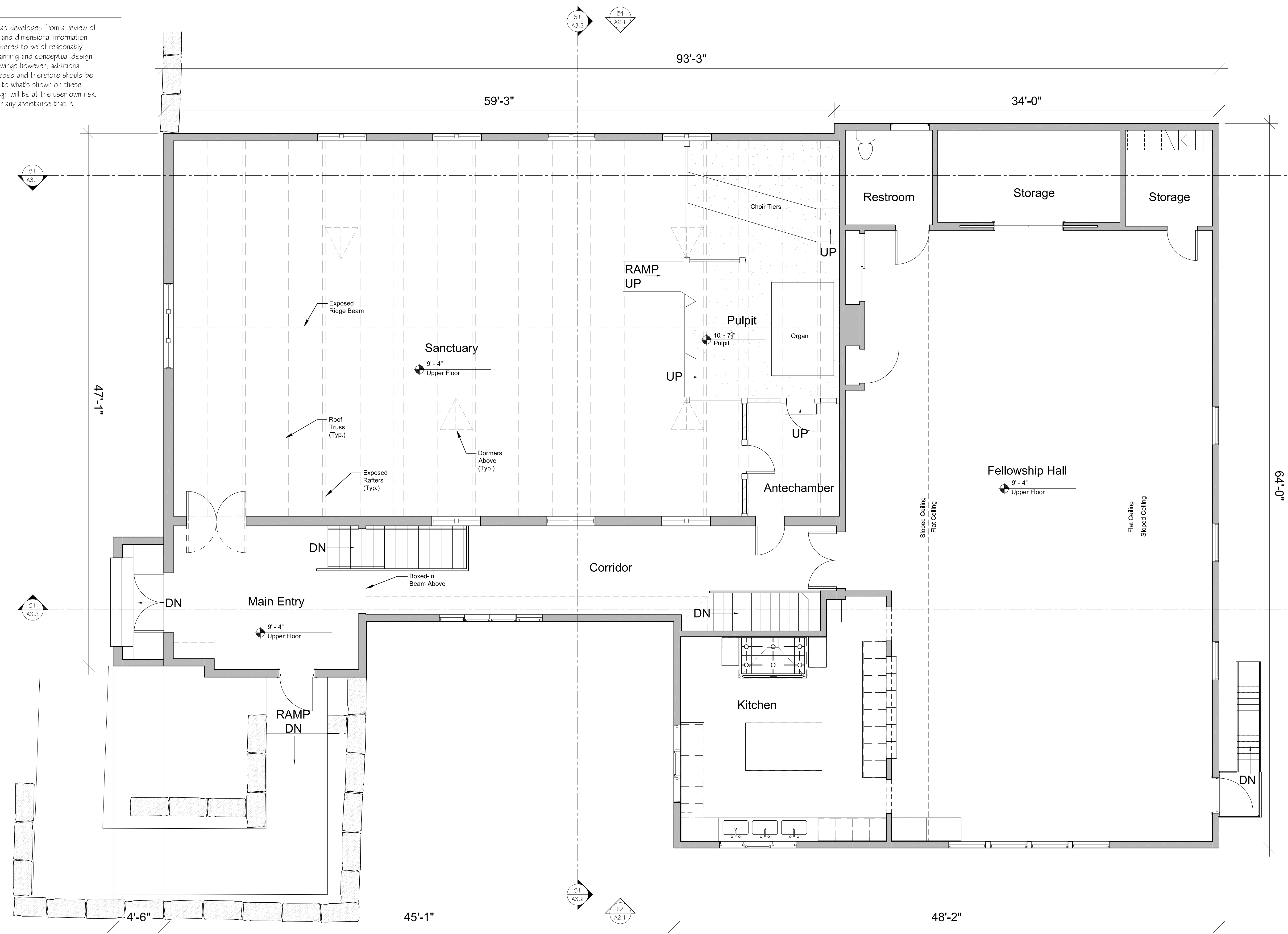
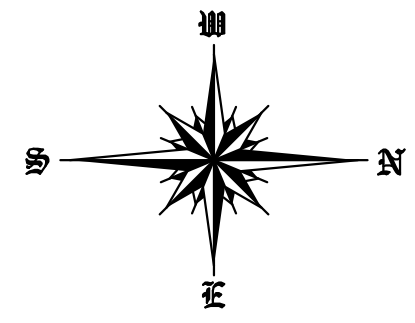
EXISTING CONDITIONS FLOOR PLAN	PROJECT NUMBER	19-10
CONWAY VILLAGE CONGREGATIONAL CHURCH	SCALE	As Noted
Conway, NH	DATE	5-8-20
	DRAWN BY	KR
	DRAWN BY	SB

A1.1

S:\Brown Church - Conway Village - July 2019\BTS CAD Files\Brown Church Existing Conditions.dwg, 5/8/2020 11:21:38 AM, Adobe PDF

GENERAL NOTES

1. The information presented in these drawings was developed from a review of historical construction drawings, photographic and dimensional information collected on site. All information can be considered to be of reasonably tight tolerances and can be readily used for planning and conceptual design purposes. For detail work or construction drawings however, additional on-site dimensional information will likely be needed and therefore should be collected. Failure to verify existing conditions to what's shown on these pages before moving into detailed or final design will be at the user own risk. Please contact Bergeron Technical Services for any assistance that is needed.



NOTATION LEGEND

	DENOTES WINDOW TYPE		DENOTES WALL TYPES
	DENOTES DOOR TYPE		
	DENOTES BUILDING SECTIONS, SEE SHEETS A3.1 - A3.3		DENOTES EXTERIOR BUILDING ELEVATIONS, SEE SHEET A2.1

P1 UPPER FLOOR LEVEL PLAN
A1.2 SCALE: 1/4" = 1'-0"

BERGERON
TECHNICAL SERVICES LLC

Copyright © 2020 SBTS/LLC
P.O. Box 241 North Conway, NH 03860
290 East Side Road Conway, New Hampshire
603-356-0022
www.BergeronTechnical.com

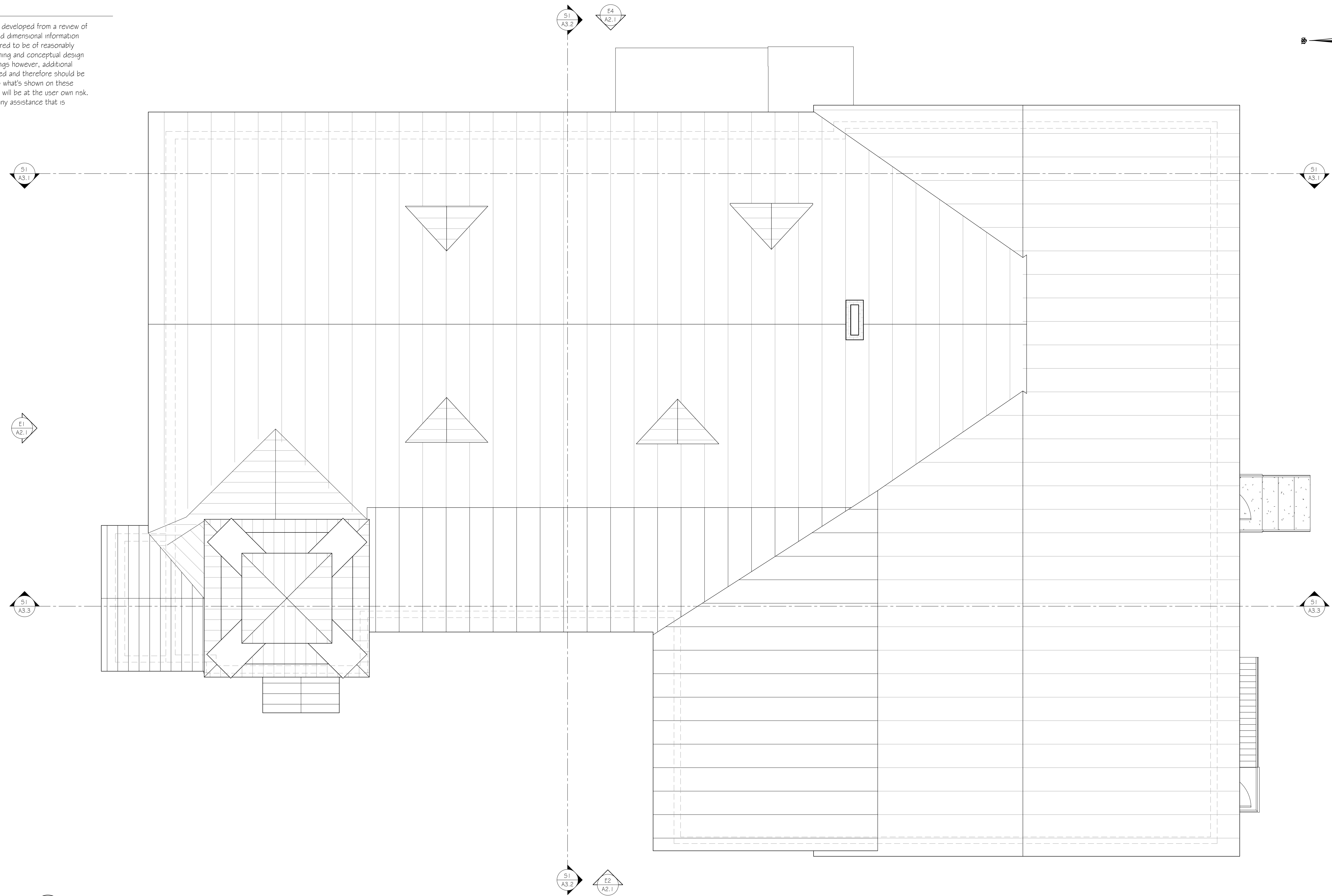
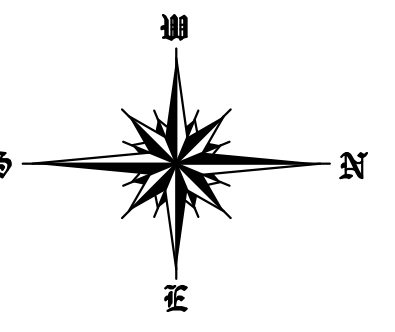
EXISTING CONDITIONS FLOOR PLAN
CONWAY VILLAGE
CONGREGATIONAL CHURCH
Conway, NH

PROJECT NUMBER	19-10
SCALE	As Noted
DATE	5-8-20
DRAWN BY	KR
DRAWN BY	SB

A1.2

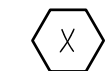




GENERAL NOTES

1. The information presented in these drawings was developed from a review of historical construction drawings, photographic and dimensional information collected on site. All information can be considered to be of reasonably tight tolerances and can be readily used for planning and conceptual design purposes. For detail work or construction drawings however, additional on-site dimensional information will likely be needed and therefore should be collected. Failure to verify existing conditions to what's shown on these pages before moving into detailed or final design will be at the user own risk. Please contact Bergeron Technical Services for any assistance that is needed.



P1 ROOF PLAN
A1.3 SCALE: 1/4" = 1'-0"

NOTATION LEGEND

-  DENOTES WINDOW TYPE
-  DENOTES DOOR TYPE
-  DENOTES BUILDING SECTIONS, SEE SHEETS A3.1 - A3.3
-  DENOTES WALL TYPES
-  DENOTES EXTERIOR BUILDING ELEVATIONS, SEE SHEET A2.1

BERGERON
TECHNICAL SERVICES LLC

Copyright © 2020 SBTSLLC
P.O. Box 241 North Conway, NH 03860
290 East Side Road Conway, New Hampshire
603.356.0022
www.BergeronTechnical.com

EXISTING CONDITIONS ROOF PLAN
CONWAY VILLAGE
CONGREGATIONAL CHURCH
Conway, NH

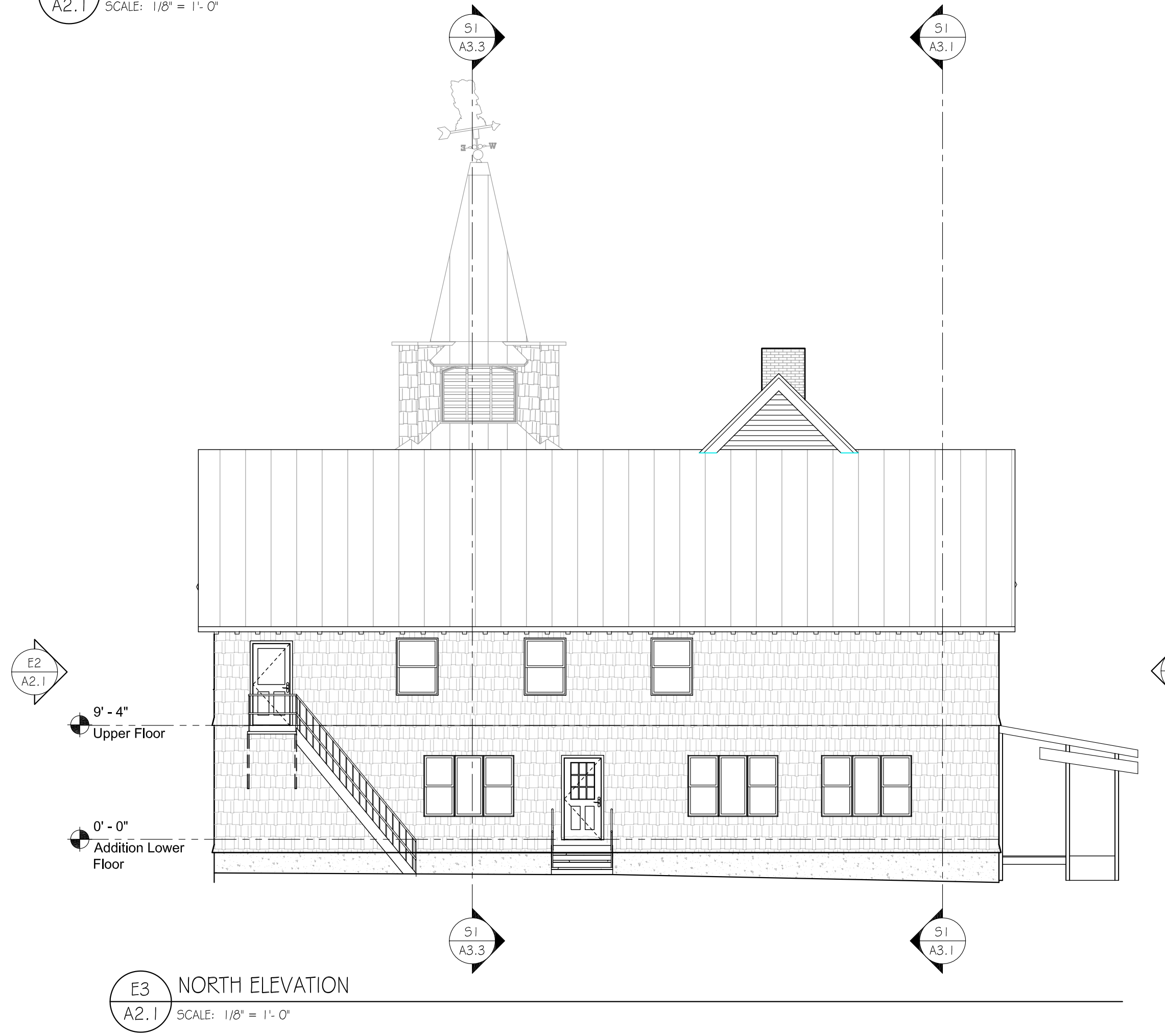
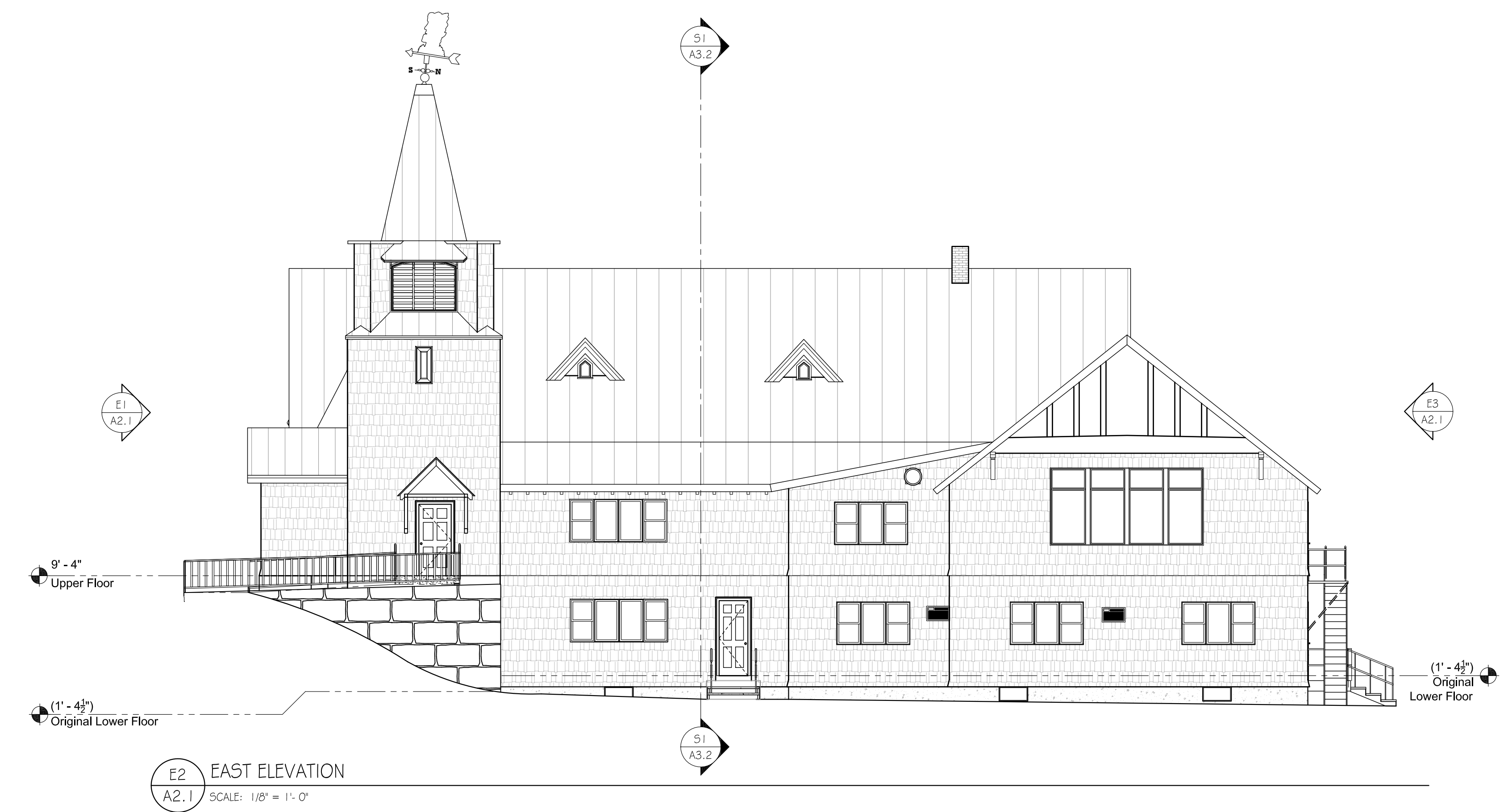
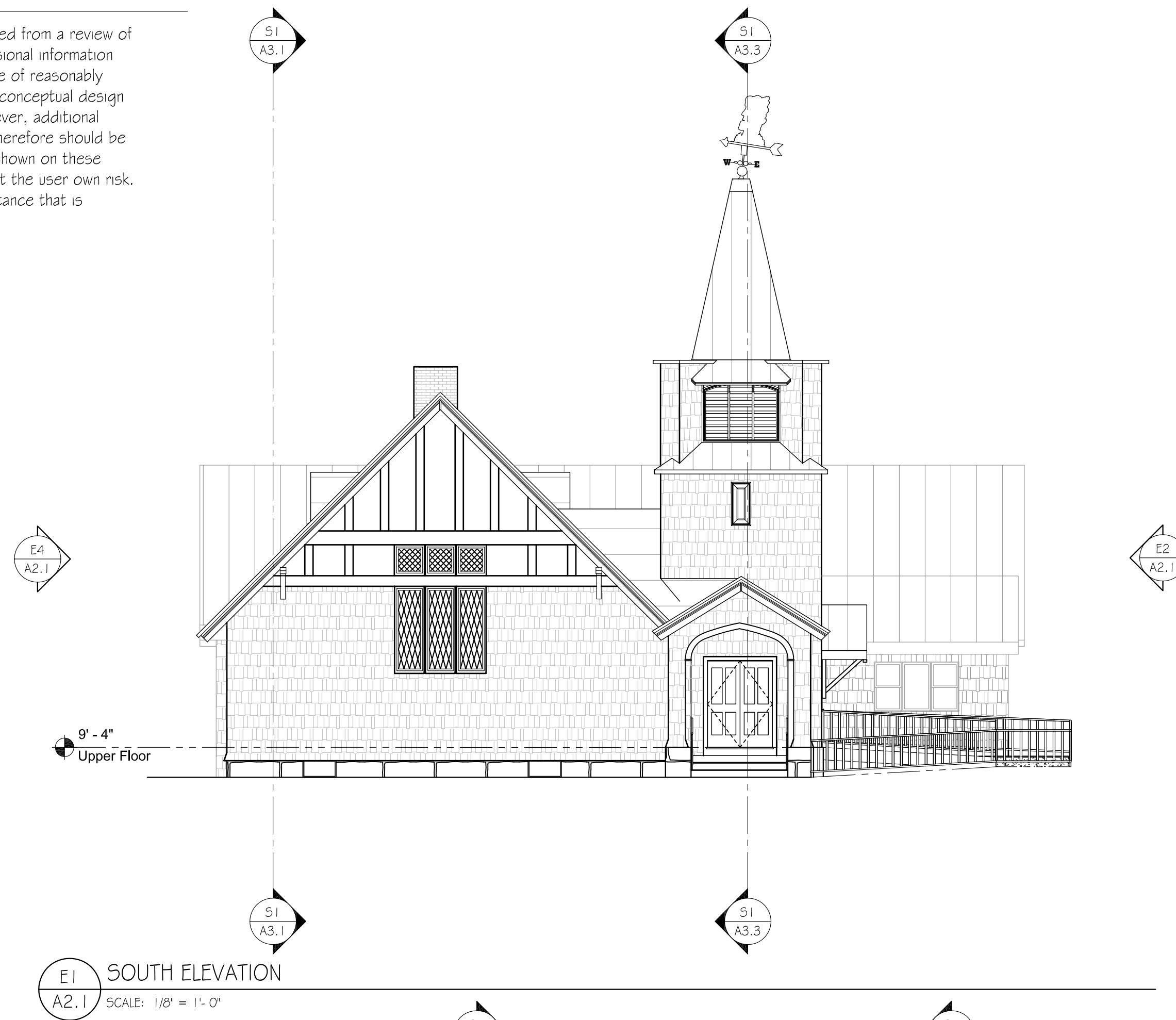
PROJECT NUMBER	19-10
SCALE	As Noted
DATE	5-8-20
DRAWN BY	KR
DRAWN BY	SB

A1.3

S:\Brown Church - Conway Village - July 2019\BTS CAD Files\Brown Church Existing Conditions.dwg, 5/8/2020 11:22:13 AM, Adobe PDF

GENERAL NOTES

1. The information presented in these drawings was developed from a review of historical construction drawings, photographic and dimensional information collected on site. All information can be considered to be of reasonably tight tolerances and can be readily used for planning and conceptual design purposes. For detail work or construction drawings however, additional on-site dimensional information will likely be needed and therefore should be collected. Failure to verify existing conditions to what's shown on these pages before moving into detailed or final design will be at the user's own risk. Please contact Bergeron Technical Services for any assistance that is needed.



NOTATION LEGEND

- DENOTES WINDOW TYPE
- DENOTES DOOR TYPE
- DENOTES BUILDING SECTIONS, SEE SHEETS A3.1 - A3.3
- DENOTES EXTERIOR BUILDING ELEVATIONS, SEE SHEET A2.1
- DENOTES WALL TYPES

BERGERON
TECHNICAL SERVICES LLC

Copyright © 2020 5875LLC
P.O. Box 241 North Conway, NH 03860
290 East Side Road Conway, New Hampshire
603.356.0022
www.BergeronTechnical.com

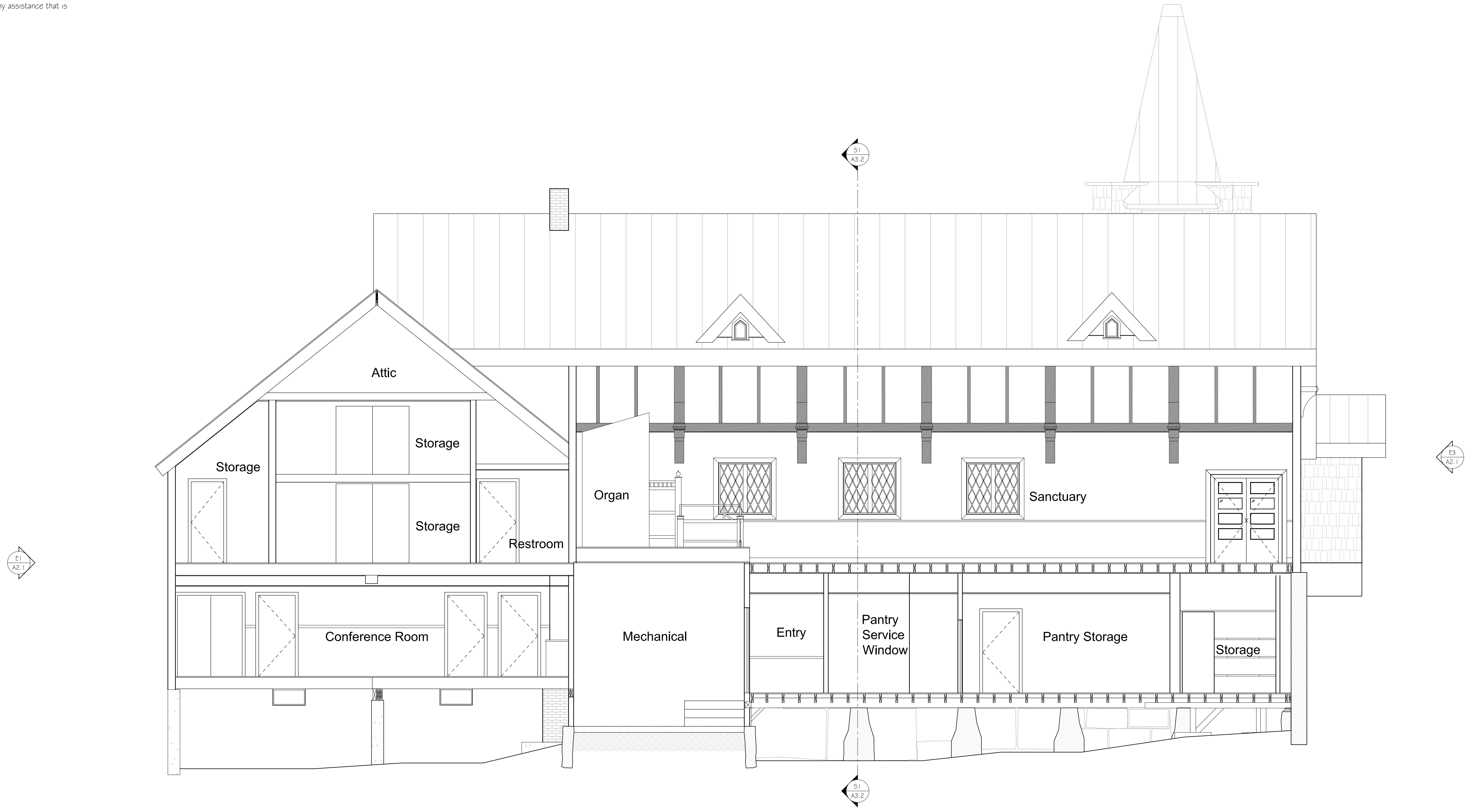
EXISTING CONDITIONS ELEVATIONS		PROJECT NUMBER	19-10
CONWAY VILLAGE CONGREGATIONAL CHURCH		SCALE	As Noted
Conway, NH		DATE	5-8-20
		DRAWN BY	KR
		DRAWN BY	SB

A2.1

S:\Brown Church - Conway Village - July 2019\BTS CAD Files\Brown Church Existing Conditions.dwg, 5/8/2020 11:23:33 AM, Adobe PDF

GENERAL NOTES

1. The information presented in these drawings was developed from a review of historical construction drawings, photographic and dimensional information collected on site. All information can be considered to be of reasonably tight tolerances and can be readily used for planning and conceptual design purposes. For detail work or construction drawings however, additional on-site dimensional information will likely be needed and therefore should be collected. Failure to verify existing conditions to what's shown on these pages before moving into detailed or final design will be at the user own risk. Please contact Bergeron Technical Services for any assistance that is needed.



S1 SANCTUARY LONGITUDINAL CROSS SECTION
A3.1 SCALE: 1/4" = 1'-0"

NOTATION LEGEND

- DENOTES WINDOW TYPE
- DENOTES DOOR TYPE
- DENOTES BUILDING SECTIONS, SEE SHEETS A3.1 - A3.3
- DENOTES WALL TYPES
- DENOTES EXTERIOR BUILDING ELEVATIONS, SEE SHEET A2.1

BERGERON
TECHNICAL SERVICES LLC

Copyright © 2020 SBTSLLC
P.O. Box 241 North Conway, NH 03860
290 East Side Road Conway, New Hampshire
603.356.0022
www.BergeronTechnical.com

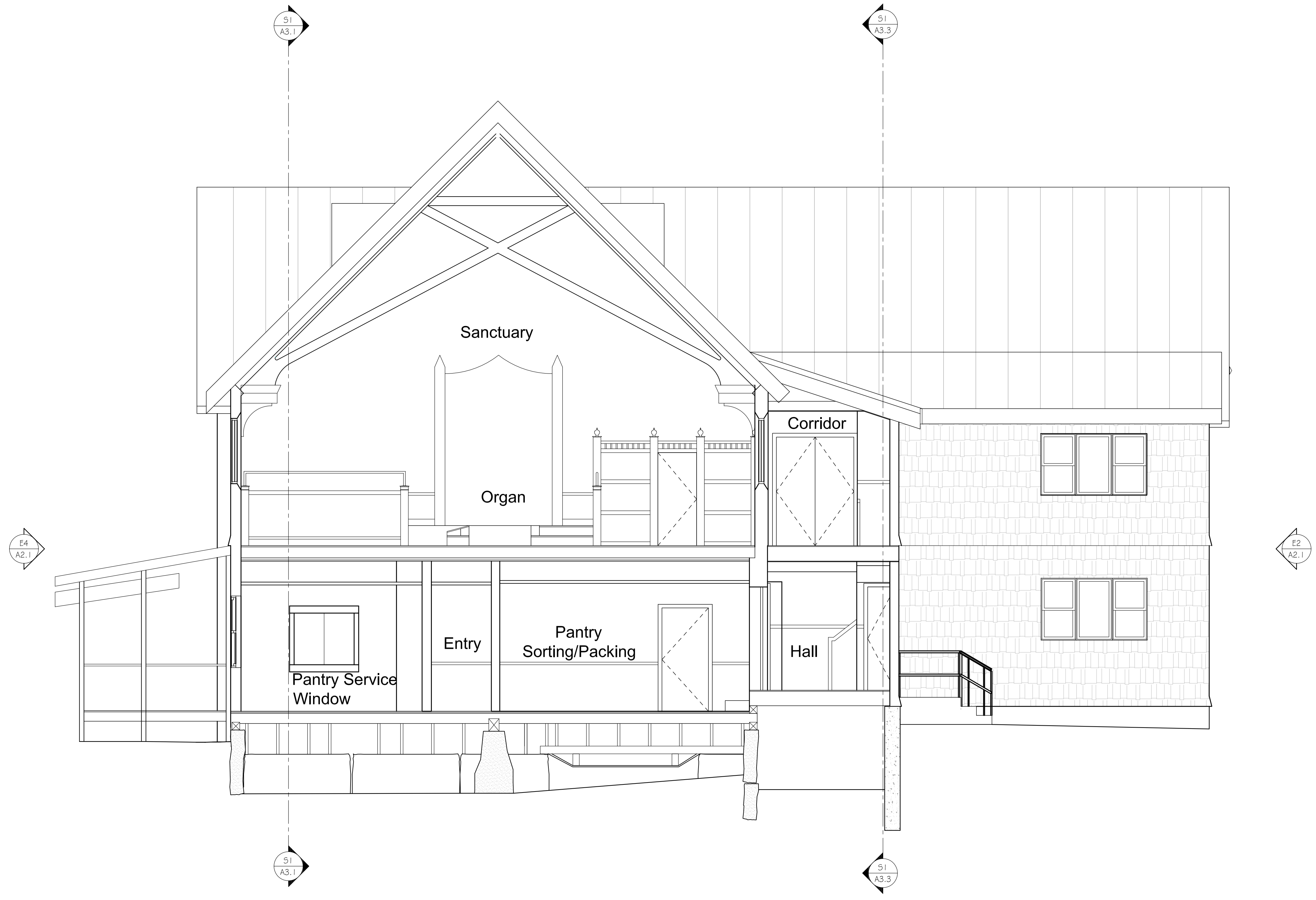
EXISTING CONDITIONS SECTIONS
CONWAY VILLAGE
CONGREGATIONAL CHURCH
Conway, NH

PROJECT NUMBER	19-10
SCALE	As Noted
DATE	5-8-20
DRAWN BY	KR
DRAWN BY	SB

A3.1

GENERAL NOTES

1. The information presented in these drawings was developed from a review of historical construction drawings, photographic and dimensional information collected on site. All information can be considered to be of reasonably tight tolerances and can be readily used for planning and conceptual design purposes. For detail work or construction drawings however, additional on-site dimensional information will likely be needed and therefore should be collected. Failure to verify existing conditions to what's shown on these pages before moving into detailed or final design will be at the user's own risk. Please contact Bergeron Technical Services for any assistance that is needed.



S1 SANCTUARY LATITUDINAL CROSS SECTION
A3.2 SCALE: 1/4" = 1'-0"

NOTATION LEGEND

	DENOTES WINDOW TYPE		DENOTES WALL TYPES
	DENOTES DOOR TYPE		DENOTES BUILDING SECTIONS, SEE SHEETS A3.1 - A3.3
	DENOTES BUILDING SECTIONS, SEE SHEETS A3.1 - A3.3		DENOTES EXTERIOR BUILDING ELEVATIONS, SEE SHEET A2.1

BERGERON
TECHNICAL SERVICES LLC

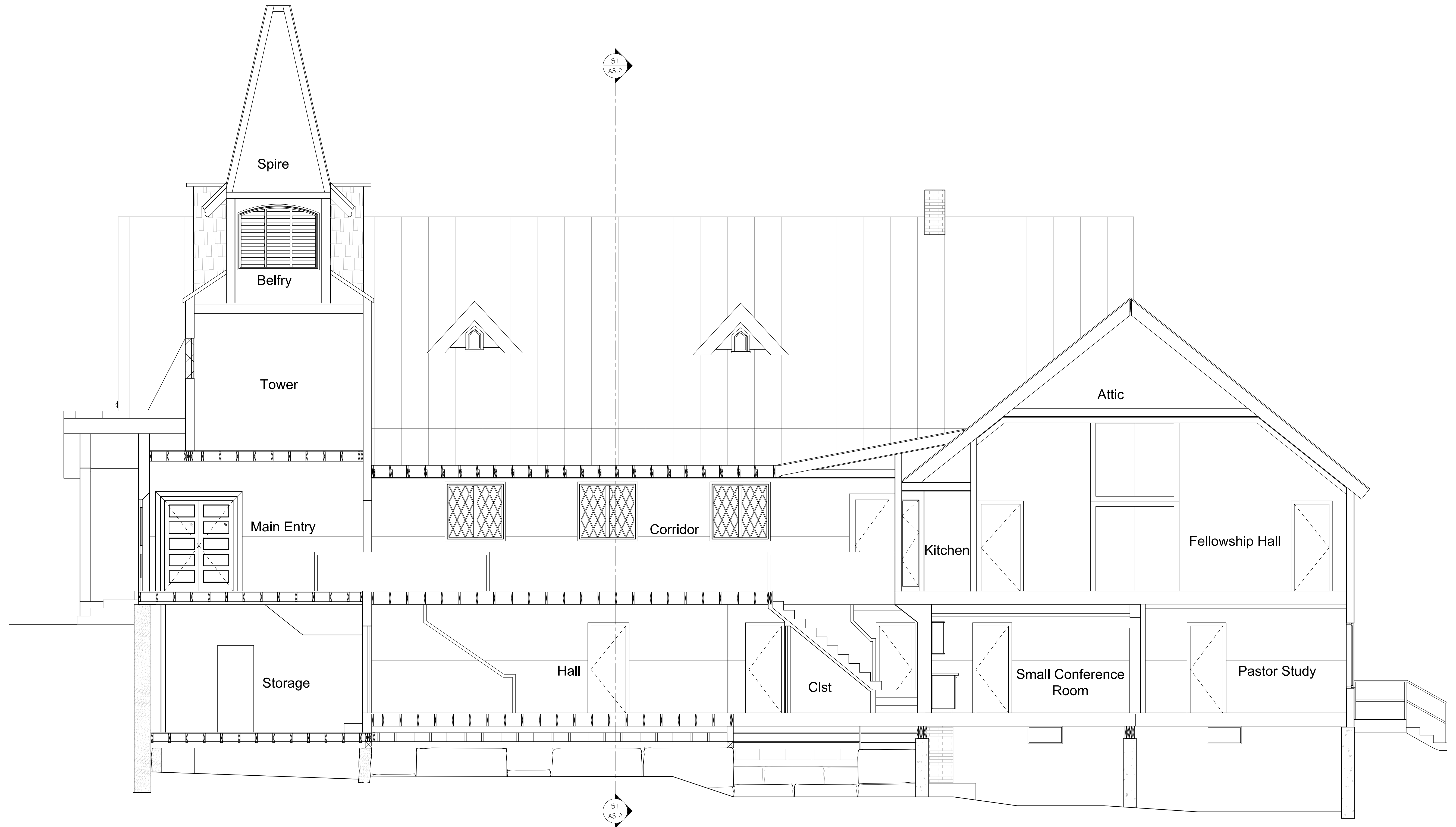
Copyright © 2020 SBTS/LLC
P.O. Box 241 North Conway, NH 03860
290 East Side Road Conway, New Hampshire
603.356.0022
www.BergeronTechnical.com

EXISTING CONDITIONS SECTIONS	PROJECT NUMBER
CONWAY VILLAGE CONGREGATIONAL CHURCH Conway, NH	19-10
	SCALE
	As Noted
	DATE
	5-8-20
	DRAWN BY
	KR
	SB

A3.2

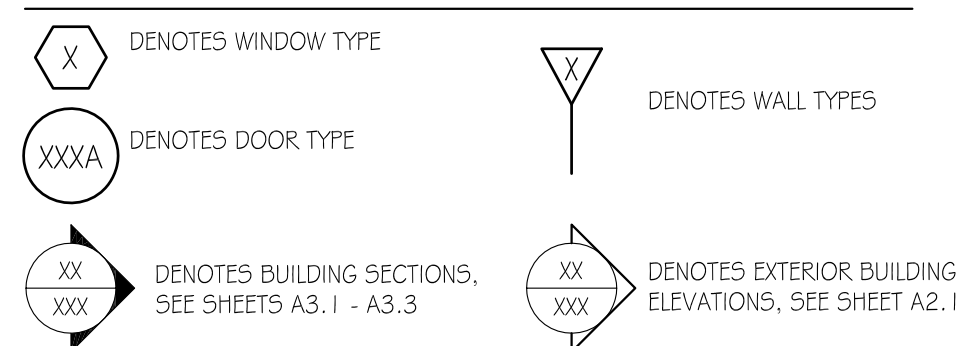
GENERAL NOTES

1. The information presented in these drawings was developed from a review of historical construction drawings, photographic and dimensional information collected on site. All information can be considered to be of reasonably tight tolerances and can be readily used for planning and conceptual design purposes. For detail work or construction drawings however, additional on-site dimensional information will likely be needed and therefore should be collected. Failure to verify existing conditions to what's shown on these pages before moving into detailed or final design will be at the user own risk. Please contact Bergeron Technical Services for any assistance that is needed.



S1
A3.3 BELL TOWER & HALL LONGITUDINAL CROSS SECTION
SCALE: 1/8" = 1'-0"

NOTATION LEGEND



BERGERON
TECHNICAL SERVICES LLC

Copyright © 2020 SBTS LLC
P.O. Box 241 North Conway, NH 03860
290 East Side Road Conway, New Hampshire
603.356.0022
www.BergeronTechnical.com

EXISTING CONDITIONS SECTIONS
CONWAY VILLAGE
CONGREGATIONAL CHURCH
Conway, NH

PROJECT NUMBER	19-10
SCALE	As Noted
DATE	5-8-20
DRAWN BY	KR
DRAWN BY	SB

A3.3

S:\Brown Church - Conway Village - July 2019\BTS CAD Files\Brown Church Existing Conditions.dwg, 5/8/2020 11:24:03 AM, Adobe PDF